

P7500 RAPIDFOLD PAPER FOLDER

INSTRUCTION MANUAL

Model P7500 110V
Model P750022 220V



Serial Number: _____

Date: _____

my OFFICE
PRODUCTS

TABLE OF CONTENTS

ABOUT	4
SPECIFICATIONS	4
COMPONENT IDENTIFICATION	4
SETTING UP	5
ASSEMBLY	5
ALIGNING THE PAPER GUIDES	6
FOLD TABLES	8
USING THE P7500	9
DOUBLE FOLD OPERATION	9
HALF FOLD OPERATION	10
TROUBLESHOOTING.....	13

ABOUT

Specifications

- Folds 8.5" x 11", 8.5" x 14", or A4 size paper
- Creates four different folds: Letter, Half, Z-Fold, Double Parallel
- Operates at a speed of 4000 sheets/hr
- Accepts 18-24 lb. bond paper (68-90 gsm)
- Folds 1 sheet at a time automatically, or up to 3 sheets at a time manually

Component Identification

- A. RapidFold Folding Machine
- B. Paper Guides (2)
- C. Front Fold Table
- D. Back Fold Table
- E. Metal Brackets (2)
- F. Exit Tray Connector Set (3)
 - 3 top plastic pieces
 - 3 bottom plastic pieces
 - 6 connector screws



Warning!

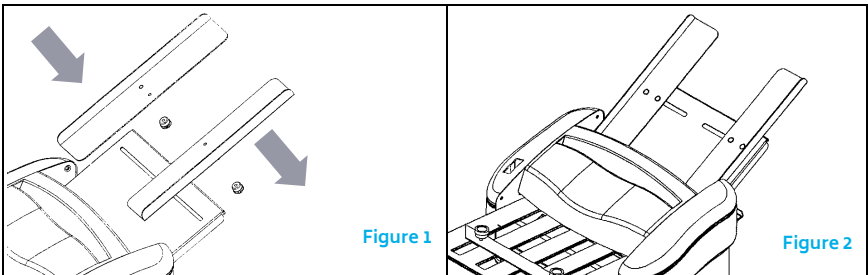
Never connect power to the folder until you are ready to set up and operate the machine. During set up, operation, and maintenance keep hands, hair, loose clothing, and jewelry away from all moving parts. Serious bodily injury could result. Service or disassembly of folder should only be attempted with the power disconnected.

SETTING UP

Assembly

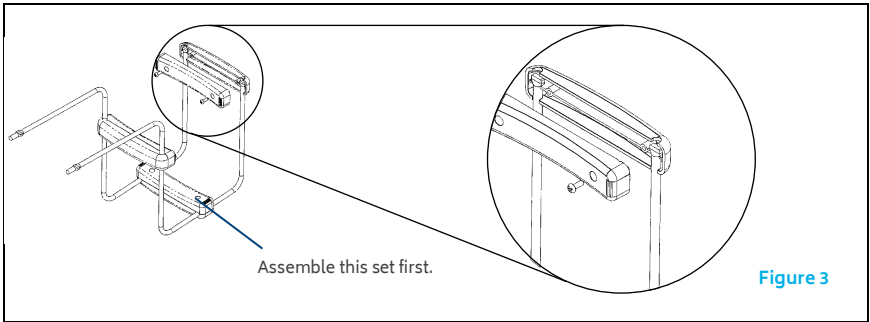
Paper Guides

Insert the Paper Guides into the Paper Tray as shown in Figure 1. You will need to remove the black plastic nuts and clear spacers from the Guides. Once inserted, install the clear spacers on the Paper Guides and screw the nuts back onto the Paper Guides and tighten. The Paper Guides should now be attached to the machine as shown in Figure 2.



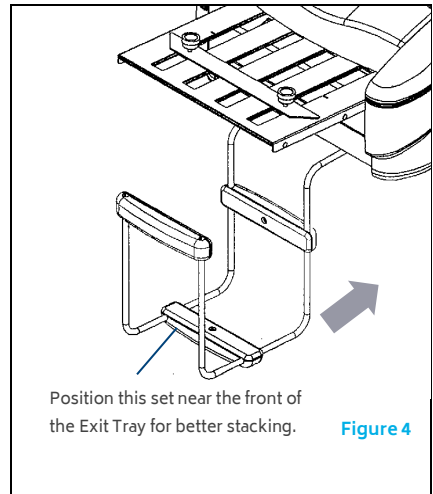
Exit Tray Assembly

To assemble the Exit Tray, you will need a #2 Philips screwdriver, the two Metal Brackets, and the three Exit Tray Connector Sets (each set contains one top plastic piece, one bottom plastic piece, and two screws). Assemble each Exit Tray Connector Set onto the Metal Brackets as shown in Figure 3. Hint: It may be easier to assemble the middle Connector Set first, as noted below.



Exit Tray Placement

The assembled Exit Tray should fit underneath the machine (Figure 4). It does not snap into place, the weight of the machine will hold it in position. Push the Tray so it is against the tabletop. Many users find it easier to attach the first connector to (1) metal part and screw halfway together. The other metal portion may then be installed to the plastic connector and screwed together completely.



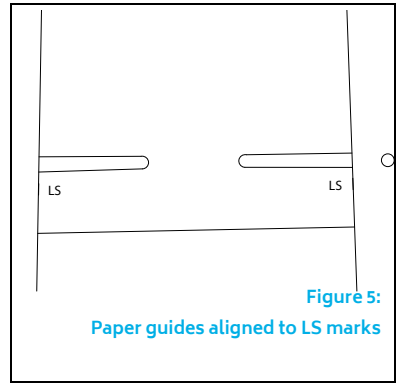
Plug in the Machine

Insert the plug into the back of the machine, and then into an electrical outlet.

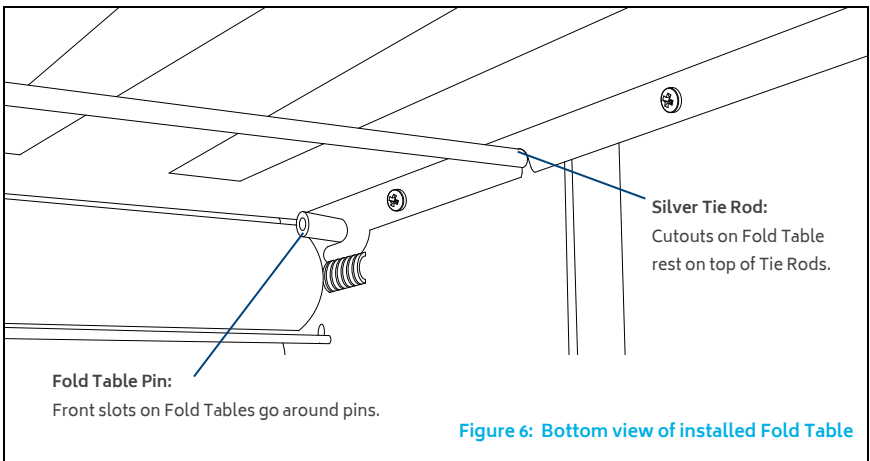
Aligning the Paper Guides

Paper guide placement is a critical and often overlooked factor in machine set-up. Please follow the instructions below carefully to ensure trouble-free paper feeding.

1. Loosen the 4 plastic thumbscrews under the feed table (see figure 1 for thumbscrew location) to loosen paper guides.
2. For standard US 8.5" x 11" paper, move both paper guides in so that the inside edges align with the straight marks on the feed table denoted LS (see figure 5 for mark location). For A4 paper, align the outside edges of the paper guides with the straight marks denoted A4. Tighten both thumbscrews (Note: Do not over tighten thumbscrews).



3. Slide a single piece of paper between the paper guides, check for:
 - a. Pinching-the paper should slide freely between the paper guides with a small amount of clearance to feed freely. Loosen thumbscrews and adjust paper guides if necessary to correct. Setting the paper guides too tight will result in feed hesitation.
 - b. Skewing-the paper should be exactly square to the feeding roller. Loosen thumbscrews and adjust paper guides if necessary to correct.



Fold Tables

The Front and Back Fold Tables should come already inserted in the machine. If you need to remove them for jam removal, insert them back into the machine as shown in Figures 7 and 8.

- Slots on the ends of both Fold Tables fit onto the 2 silver-colored pins inside the machine (Figure 6).
- The Fold Tables should rest on top of the silver tie rods (see Figure 6).
- The Tables should go into the machine open end first (exception: When doing a half fold, the Back Fold Table should go in closed end first. See Half Fold section on the next page.)
- Hint: Many users find it easier to install the fold tables while looking at them from the bottom (as seen in Figure 6).

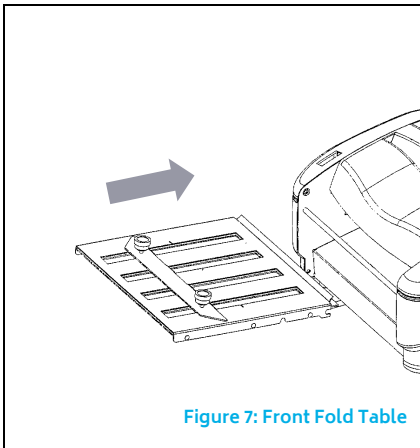


Figure 7: Front Fold Table

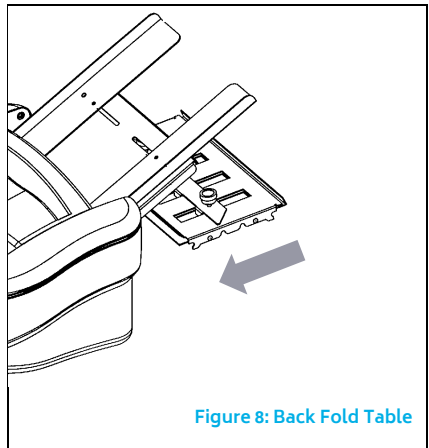
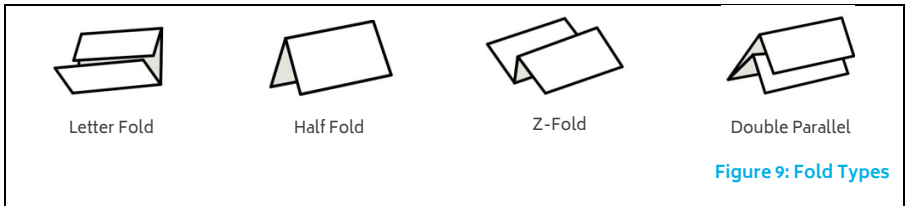


Figure 8: Back Fold Table

Adjusting the Fold Tables

Note: The RapidFold 110v model comes factory preset to fold an 8.5" x 11" sheet of paper into a letter fold appropriate for a standard business envelope. The 220v models are factory-preset to fold an A4 sheet of paper into a letter fold.

Before attempting to set the P7500 to a fold different than the factory setting, you must understand the different types of folds (see Figure 9 for examples of several common folds and their corresponding icons). A half fold requires only the first fold table to be set and used. All other folds require both fold tables.

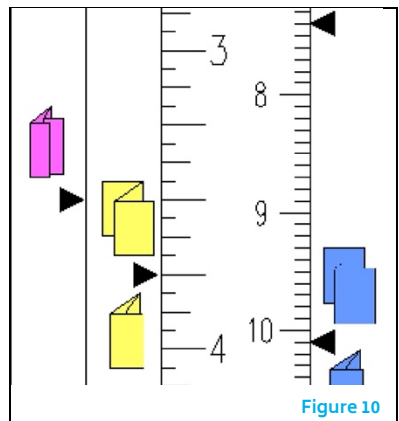


USING THE P7500

Double Fold Operation

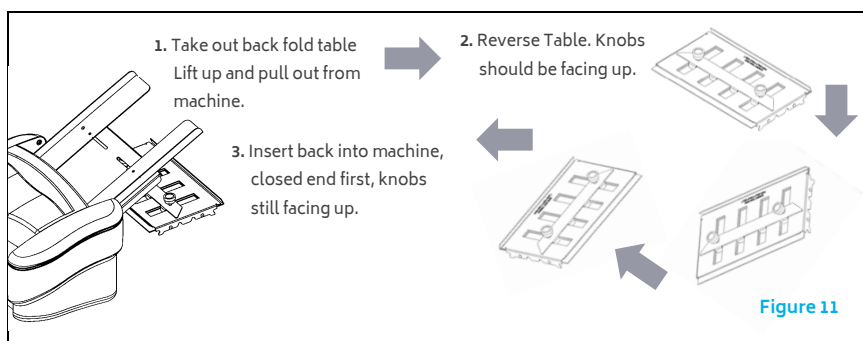
All folding operations, apart from the half fold, require two folds be placed in the stock. This is the case in the typical letter fold or Z-fold. The second fold table must be in the double fold position (position it is factory preset to) in order to accomplish this. Use the following steps to create the different types of folds:

1. Loosen both locking knobs on both folding tables to loosen the paper stops.
2. Locate the icons on the fold table rulers that are the type of fold that the operator desires.
3. Move the Paper stops to the corresponding arrows next to the desired icons. 8.5" X 11" (yellow icons) and 8.5" x 14" (pink icons) paper use the inch scale on the left side of the rulers. A4 (blue icons) paper uses the metric scale on the right side of the rulers (see Figure 10).
4. Tighten the paper stop locking knobs down to lock the paper stops into position.



Half Fold Operation

To set the machine for half fold, you will need to take out the Back Fold Table, reverse it, and re-insert it (closed end first) see Figure 11 below. Adjust the Front Fold Table as described in step 3 above.



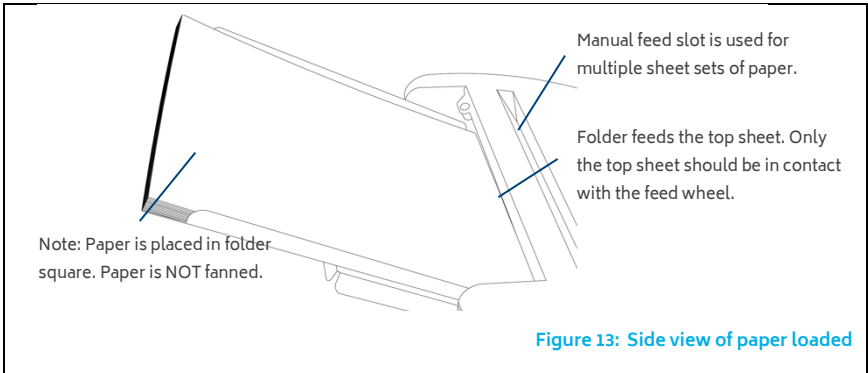
Automatic Feeding of Single Sheets

Follow the below steps for clean automatic paper feeding:

1. Square stack of up to 50 sheets of paper by tapping it on all sides on a flat surface such as a table.

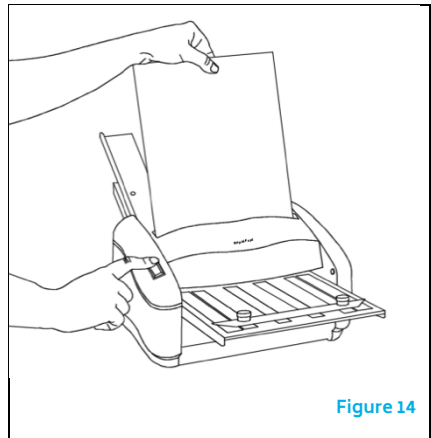
2. Load squared stack of paper into the P7500 feed table, the top sheet of paper should be in contact with the black feed tire. **NOTE:** In loading the paper, the stack need only be "pushed" into the feed mechanism with a light touch. Jamming the stack of paper into the folder with force will result in feeding problems. See figures 12 and 13.





3. Turn the folder 'ON' by pushing the 'I' portion of the 'I-O-II' rocker switch. Folding should initiate.

**Note: Use MY Office Product's 300 Static Eliminator to remove static and improve machine performance. Also use MY Office Products 200 Rubber Roller Cleaner for better folding performance and longer roller life.*



Hand-Feeding of Sheets

(Mandatory for folding multiple sheet sets of paper.)

1. To prevent jams, remove all paper from the Paper Tray before feeding sets by hand.
2. For feeding sets of up to 3 sheets (stapled or unstapled), first square the paper against a tabletop.
3. Place the paper into the manual feed slot on the top of the machine (as shown in Figures 13 and 14 above). Do not install multiple sheet sets in the Feed Table; a jam will result.

4. Use the momentary on, "II" switch position to initiate folding. Hold the switch down until folded paper exits machine.
5. Do not run machine for long periods of time without paper in the Paper Tray, this could wear down the feed tire.

HINT: For multiple sheet sets of paper, creasing of the stock may be encountered due to the thickness of the sheet set. Correct by moving the first fold table stop out approximately $1/8$ ". For example, if the first fold table were set at $7\ 3/8$ " for a letter fold, the user would reset it to $7\ 1/2$ " for the multiple sheet set.

Paper Jams

1. Unplug the machine. Check to see if you can clear the jam by removing one of the Fold Tables.
2. If you cannot remove the jam, use a flathead screwdriver to manually turn the folding rollers, using the access hole in the left side of the machine. The paper should eventually emerge from the machine.
3. You may need to remove the top plastic cover to extract the jammed paper.

Troubleshooting

Paper Jamming

1. If feeding by hand, make sure that there is no paper in the Paper Tray.
2. Re-align the Paper Guides and check Fold Table settings.
3. Check to see if paper is within specifications (8.5" x 11" or A4, 16-28 lb. bond or 68-90 gsm).
4. Remove top cover and clean rollers with the MYOP 200 Rubber Roller Cleaner.
5. Use MYOP 300 Static Eliminator to remove static in paper.

Paper Misfeed

1. If the paper guides are too tight or not parallel to each other, adjust the paper guides as described in "Aligning the Paper Guides" section of this instruction manual.
2. If feeding by hand, make sure the paper is properly aligned before placing it in the slot.
3. If feeding by hand, place the set in the slot before turning the machine on.
4. Re-align the Paper Guides.
5. Check to see if paper is within specifications (8.5" x 11" or A4, 18-24 lb. bond or 68-90 gsm).
6. The feed tire could be worn. Replace.





By Martin Yale Industries

251 Wedcor Ave. Wabash, IN 46992
my-officeproducts.com | martinyale.com
info@martinyale.com | 800-225-5644

*For Product Registration and Warranty information visit
martinyale.com/register*